



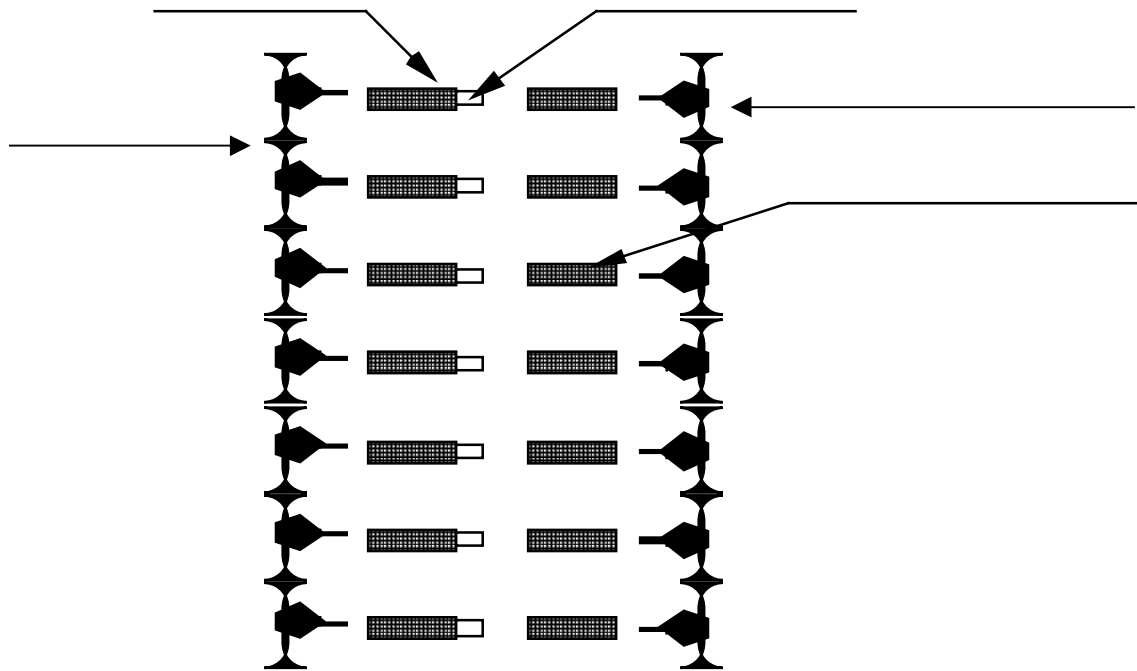
DNA Structure

Worksheet

AgriBiotechnology
AgriScience & Society

Interval 1
Segment 4

Before beginning the actual construction of a DNA molecule, complete this blueprint sketch by correctly labeling each part of the DNA molecule. Use resource materials if necessary.



NOTE: This drawing represents DNA construction **prior** to the final twist of the ladder into a double helix.

Important Note!

Because it controls so many of life's processes, DNA has been called the "**master molecule.**" A single molecule might contain millions of atoms. Its great size enables the DNA to contain and store large amounts of information.